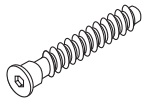
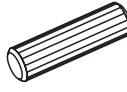
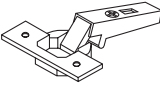
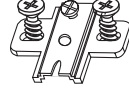
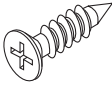


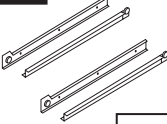
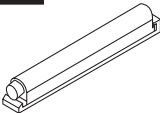
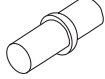

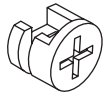
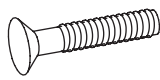

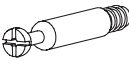
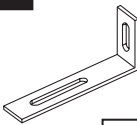
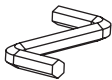


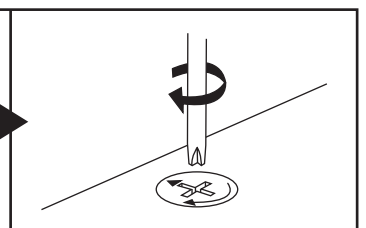
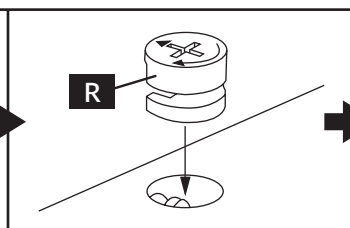
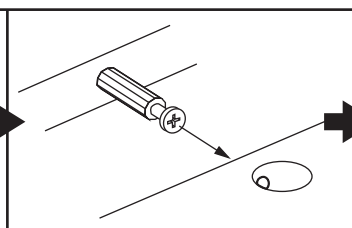
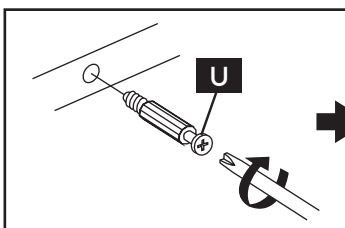
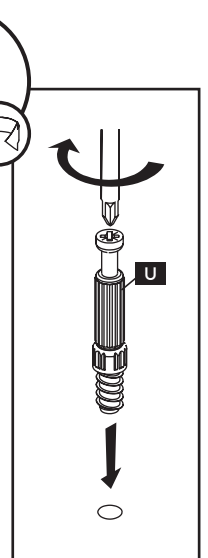
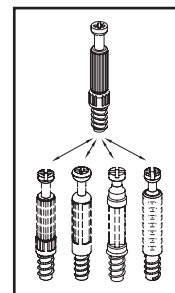
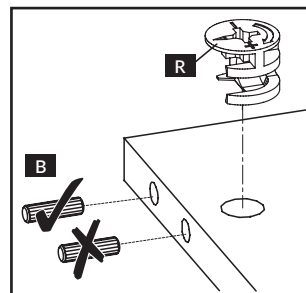
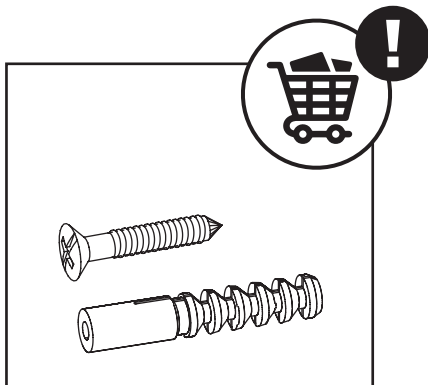
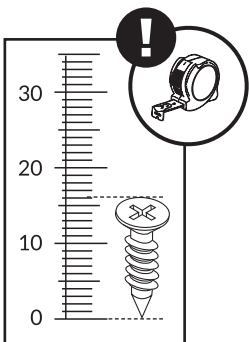
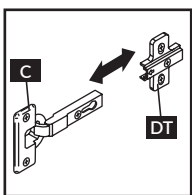
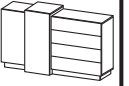
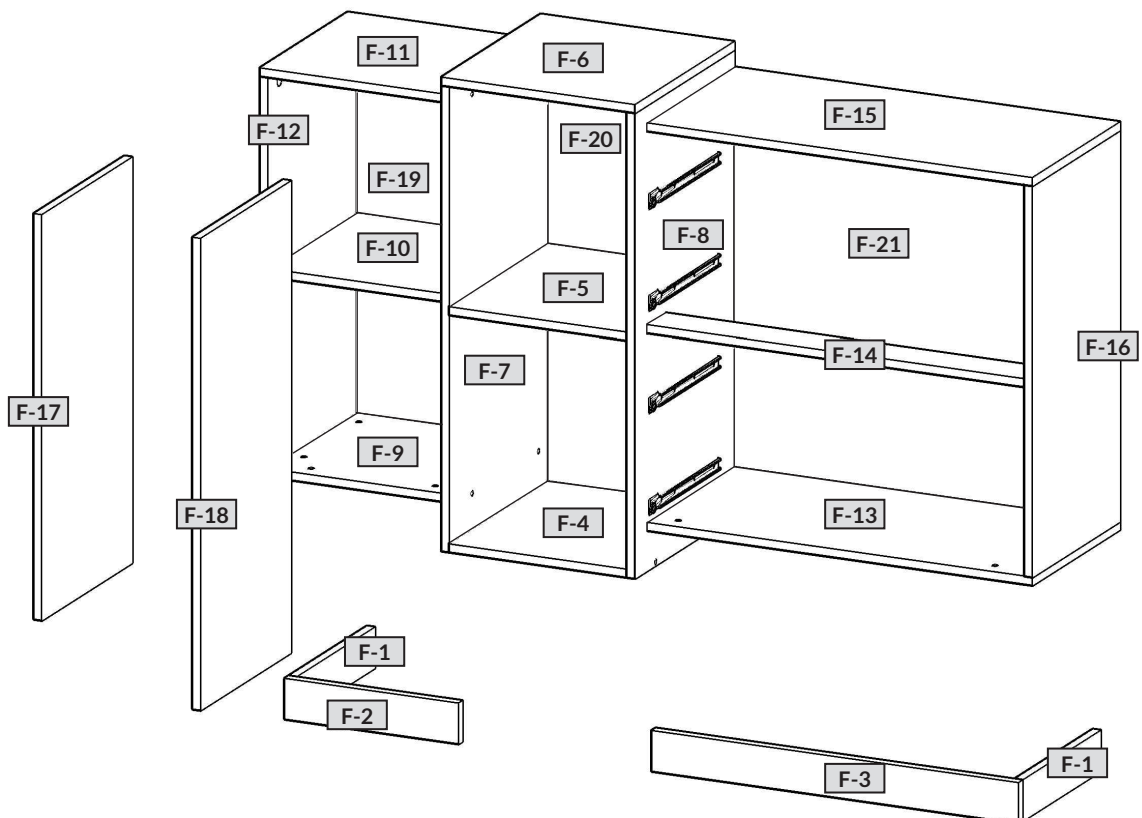
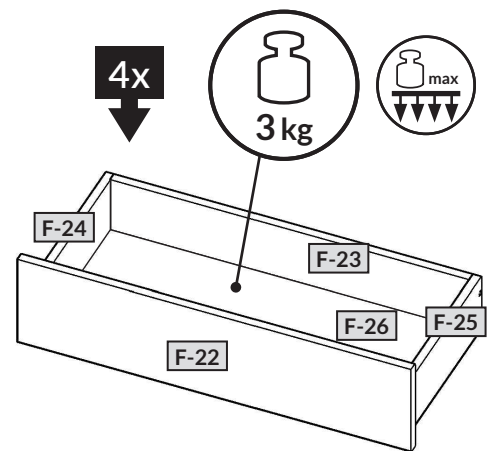


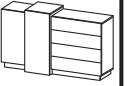
<p>A</p>  <p>7 x 50 mm x 24</p>	<p>B</p>  <p>8 x 32 mm x 44</p>	<p>C</p>  <p>(P) x 4</p>	<p>DT</p>  <p> x 4</p>	<p>E</p>  <p>3,5 x 13 mm x 9</p>	<p>E2</p>  <p>3 x 20 mm x 96</p>
<p>G2</p>  <p> x 12</p>	<p>K</p>  <p>L=350 mm x 4</p>	<p>O2</p>  <p> x 6</p>	<p>P</p>  <p> x 8</p>	<p>Q2</p>  <p>Ø20 x 12</p>	<p>R</p>  <p>H=11 mm x 18</p>
<p>RB</p>  <p> x 16</p>	<p>T3</p>  <p>5 x 9 mm x 28</p>	<p>U</p>  <p>L=24,3 mm x 18</p>	<p>W1</p>  <p> x 1</p>	<p>XA</p>  <p> x 1</p>	<p>ZA</p>  <p>Ø4 x 16</p>
<p>ZR</p>  <p>Ø15 x 18</p>					



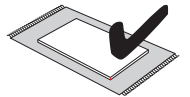
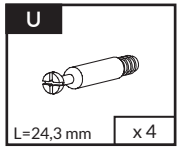
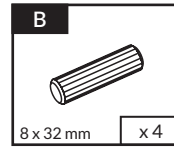
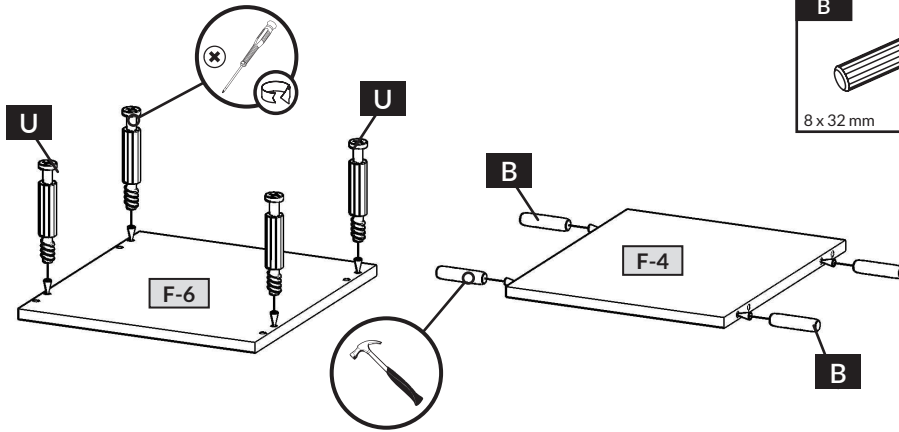
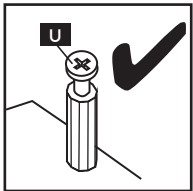
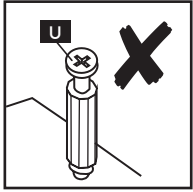


nr	↔ [mm]	↑↓ [mm]	∠ [mm]		
F-1	344	80	16	x2	1/2
F-2	360	80	16	x1	1/2
F-3	760	80	16	x1	2/2
F-4	368	434	16	x1	1/2
F-5	368	434	16	x1	1/2
F-6	400	434	16	x1	1/2
F-7	914	434	16	x1	1/2
F-8	914	434	16	x1	1/2
F-9	400	384	16	x1	1/2
F-10	384	384	16	x1	1/2
F-11	400	384	16	x1	1/2
F-12	768	384	16	x1	2/2
F-13	800	384	16	x1	1/2
F-14	784	100	16	x1	2/2
F-15	800	384	16	x1	1/2
F-16	768	384	16	x1	2/2
F-17	796	396	16	x1	1/2
F-18	926	396	16	x1	1/2
F-19	405	796	3	x1	1/2
F-20	382	926	3	x1	1/2
F-21	804	796	3	x1	1/2
F-22	796	196	16	x4	2/2
F-23	727	120	16	x4	2/2
F-24	350	120	16	x4	2/2
F-25	350	120	16	x4	2/2
F-26	757	356	3	x4	2/2

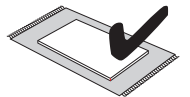
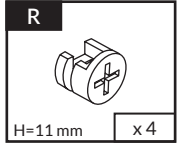
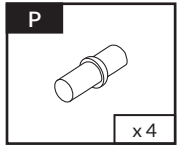
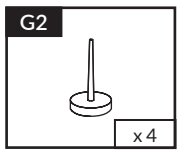
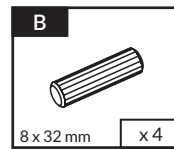
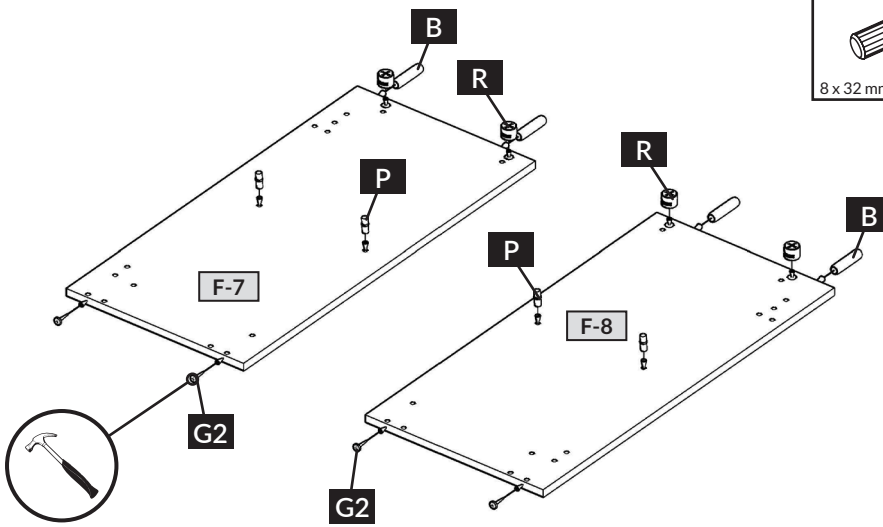
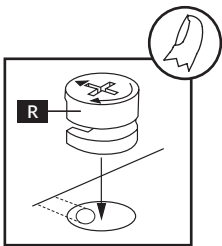
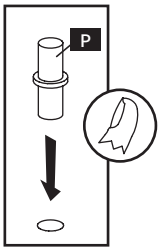




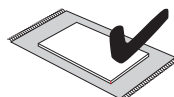
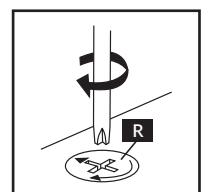
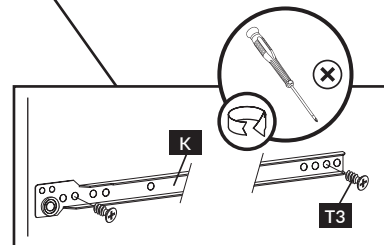
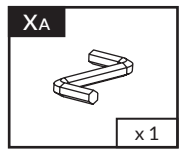
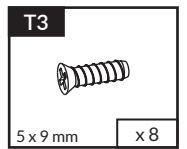
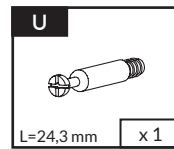
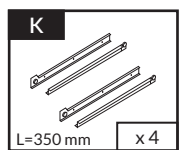
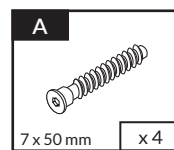
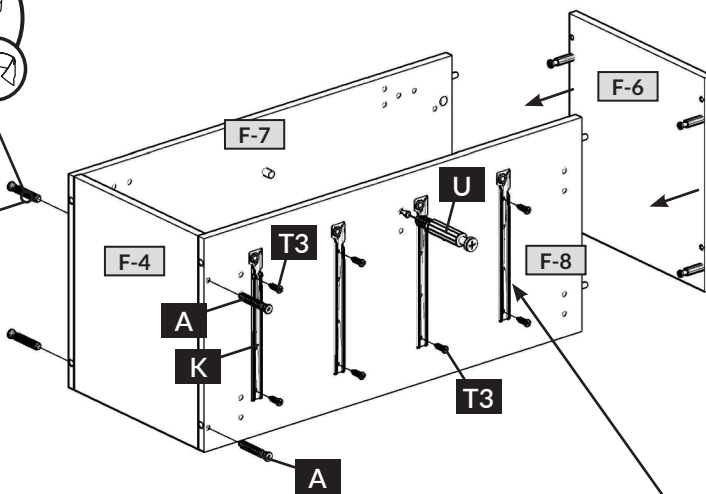
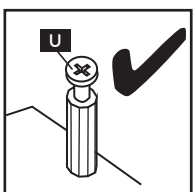
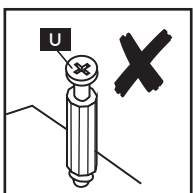
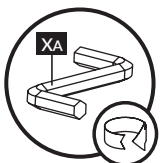
1



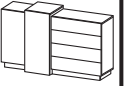
2



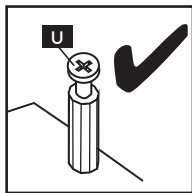
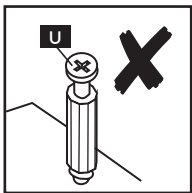
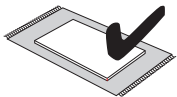
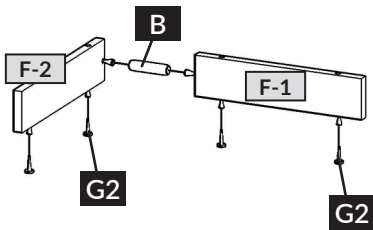
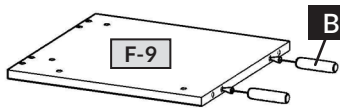
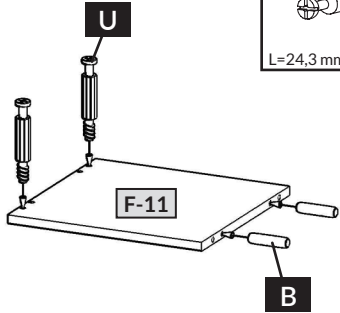
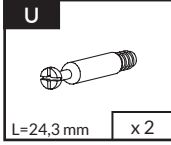
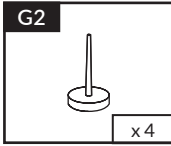
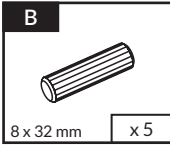
3



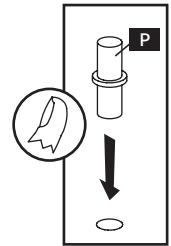
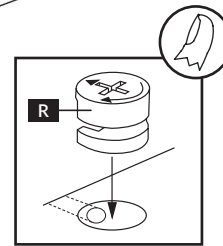
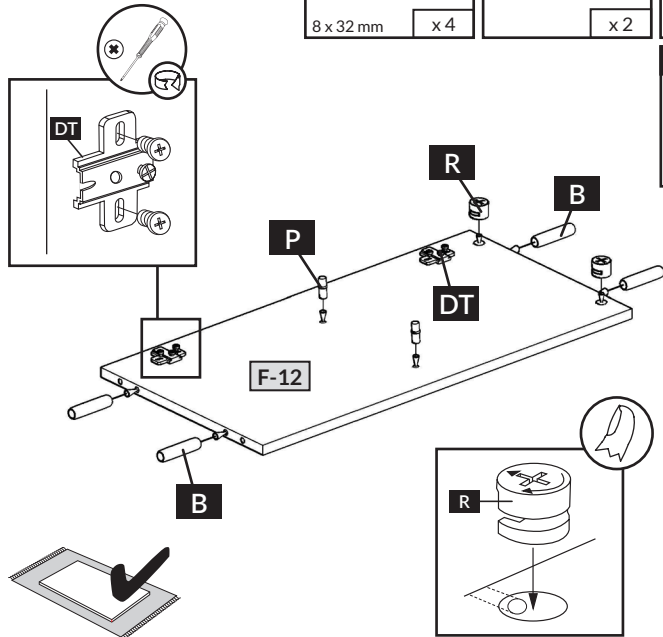
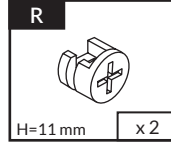
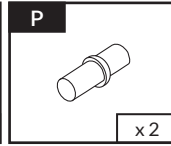
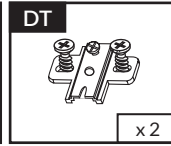
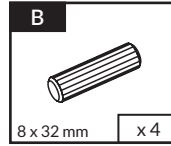
5



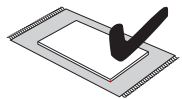
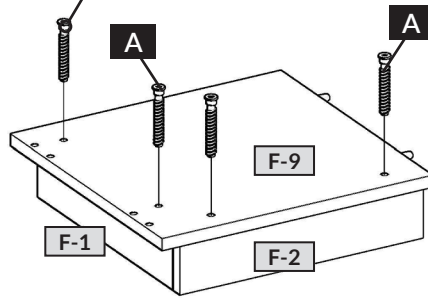
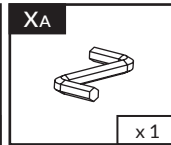
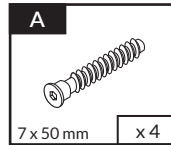
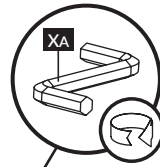
4



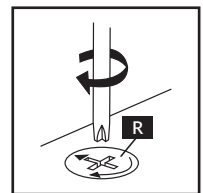
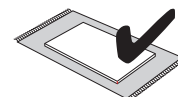
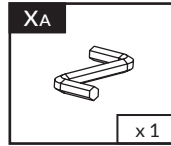
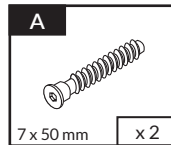
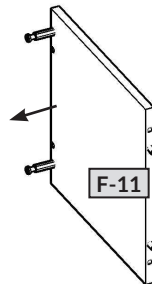
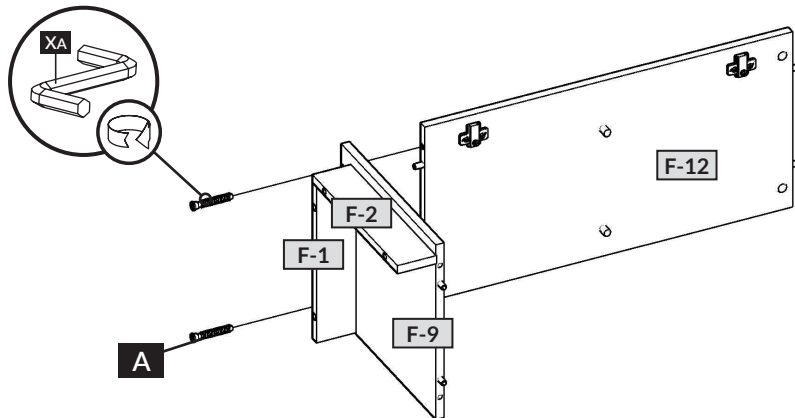
5



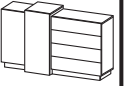
6



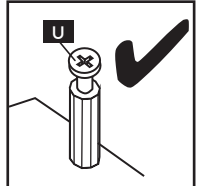
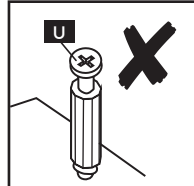
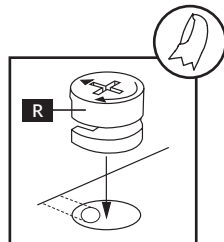
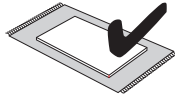
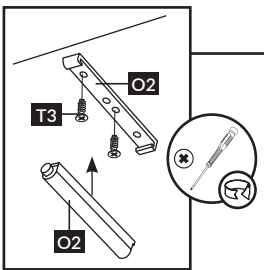
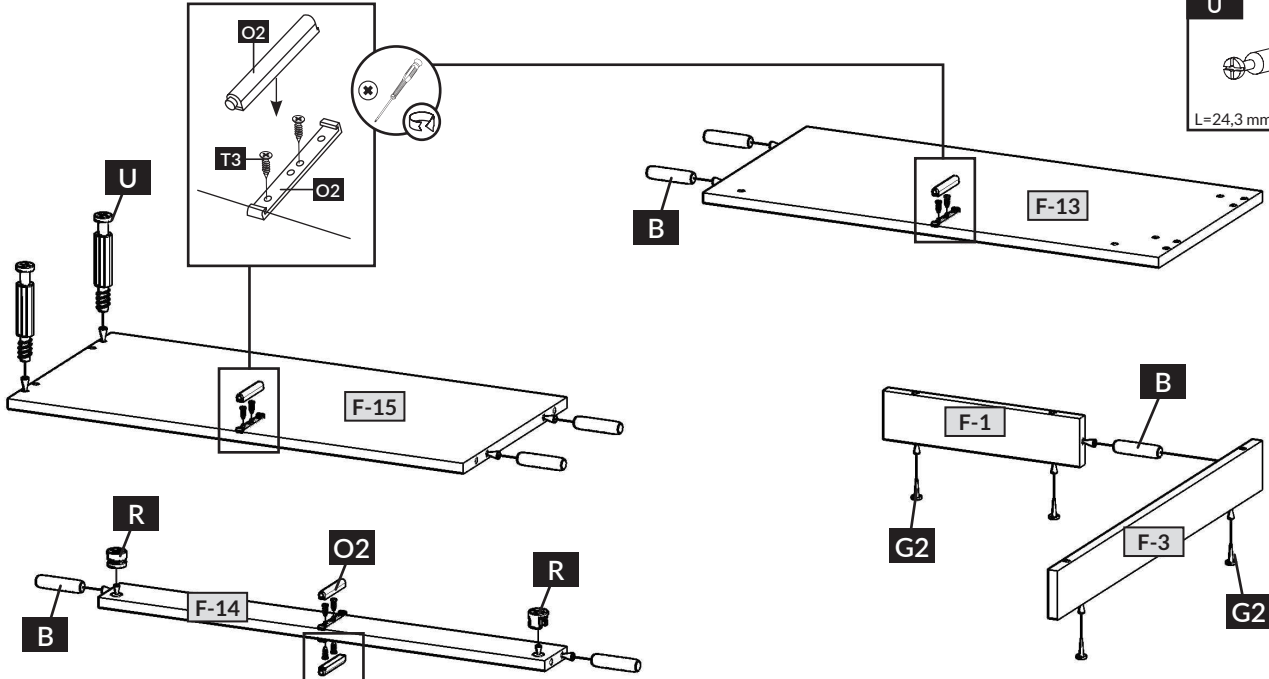
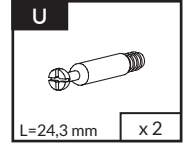
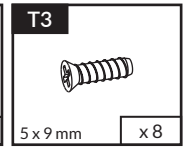
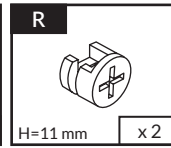
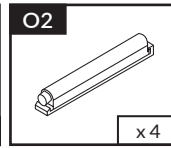
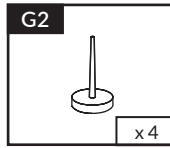
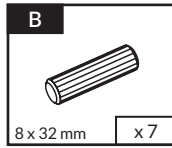
7



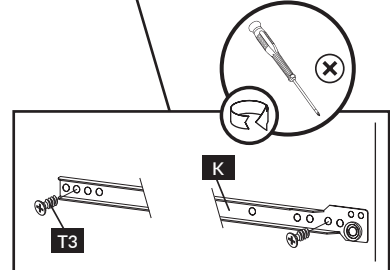
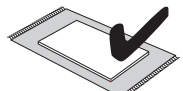
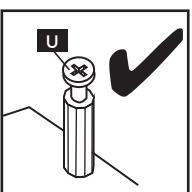
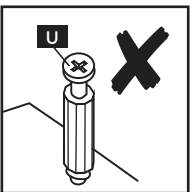
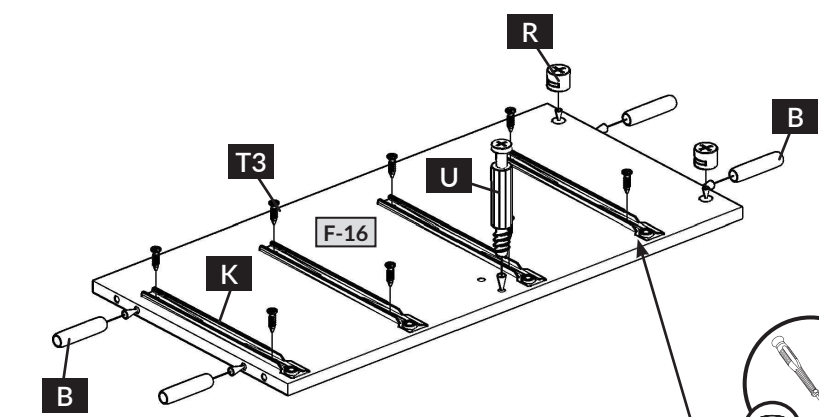
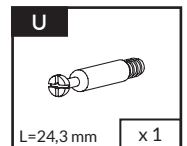
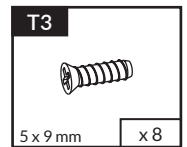
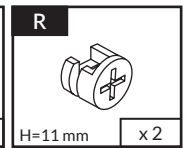
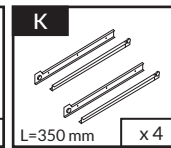
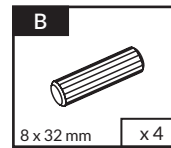
6



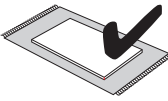
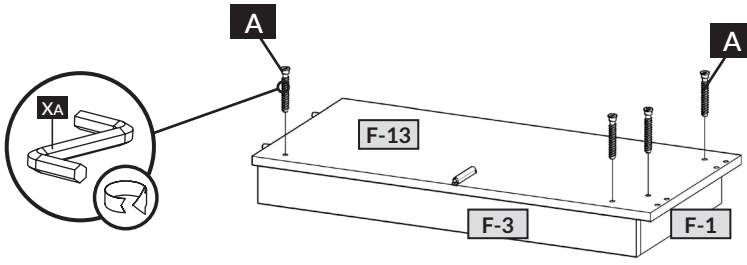
8

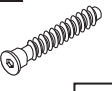


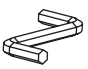
9

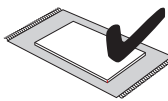
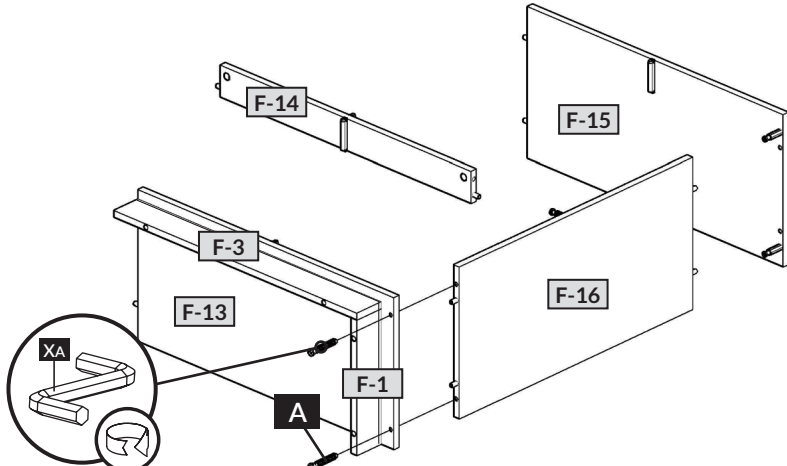


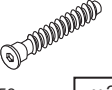
7 

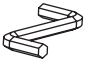
10  


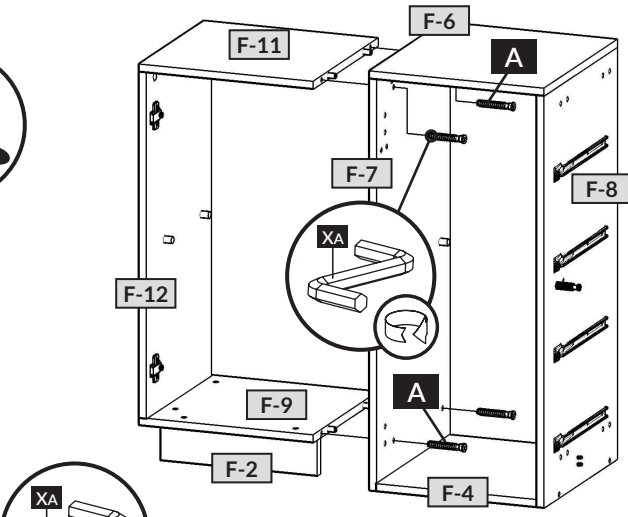
A  7 x 50 mm x 4

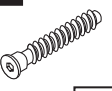
XA  x 1

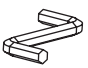
11  


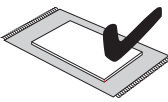

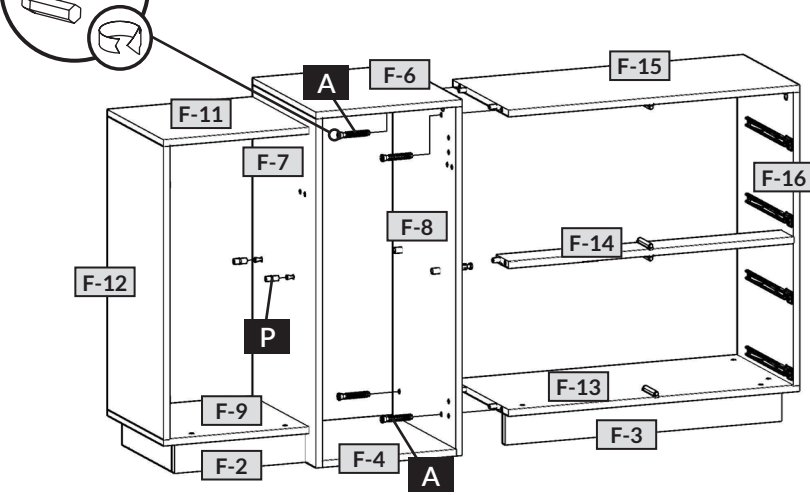
A  7 x 50 mm x 2

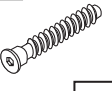
XA  x 1

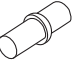
12  

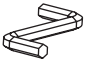
A  7 x 50 mm x 4

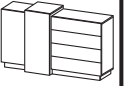
XA  x 1

13    

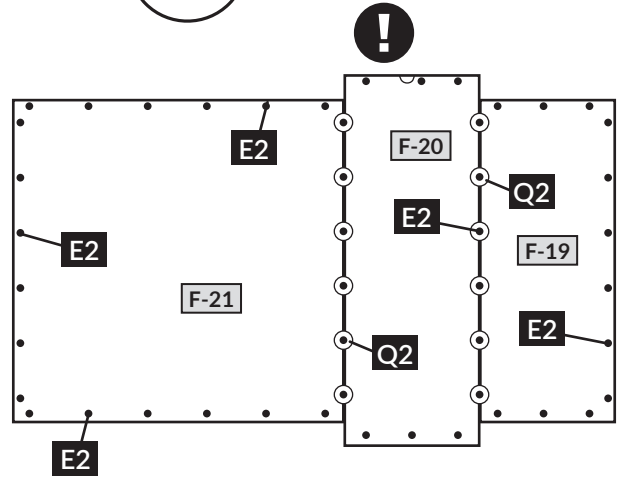
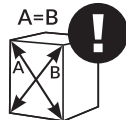
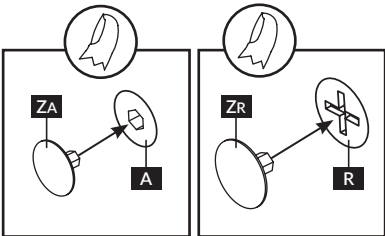
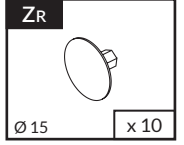
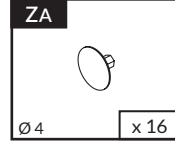
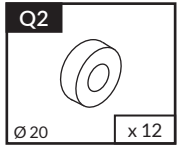
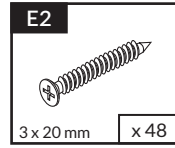
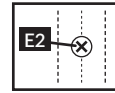
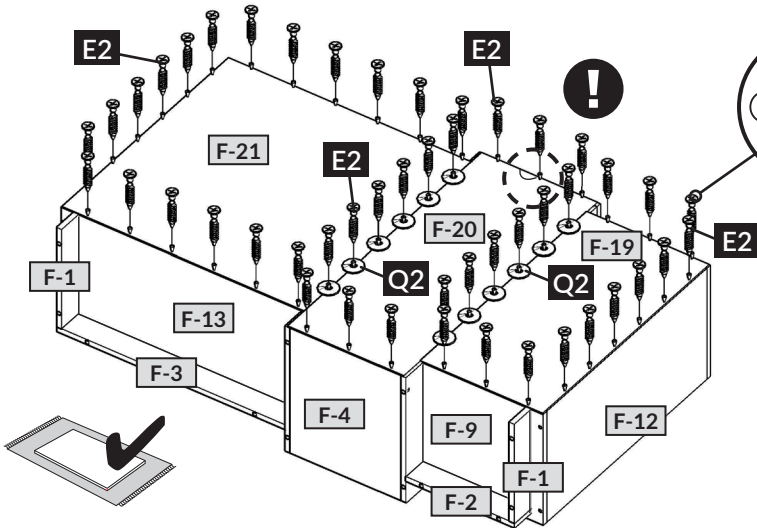
A  7 x 50 mm x 4

P  x 2

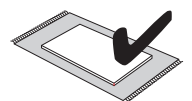
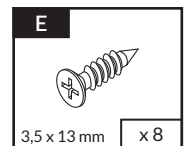
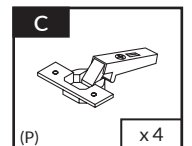
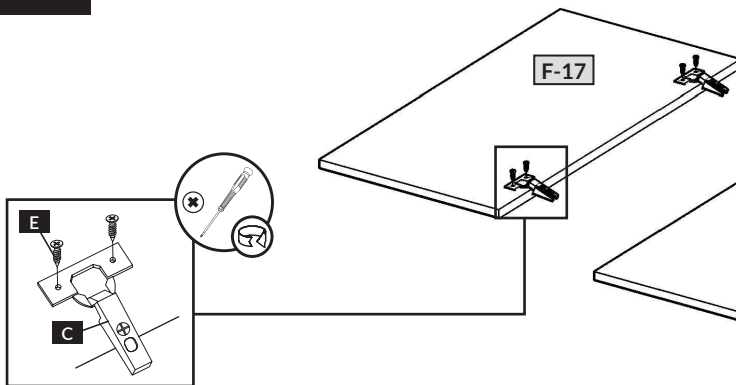
XA  x 1



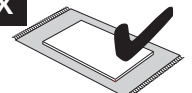
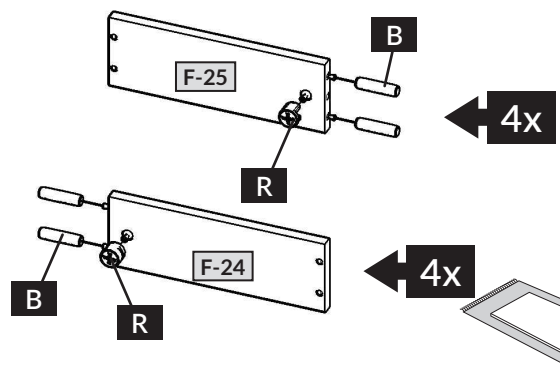
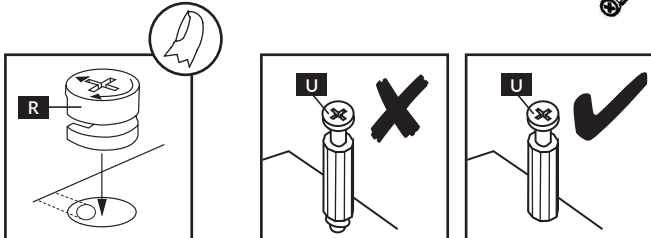
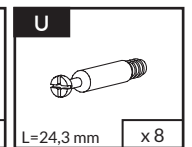
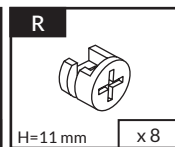
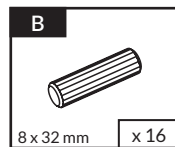
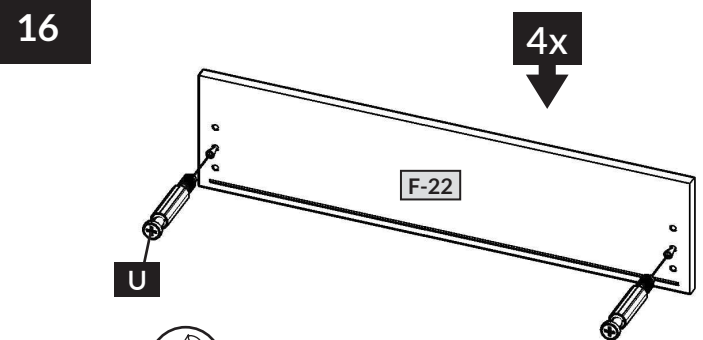
14



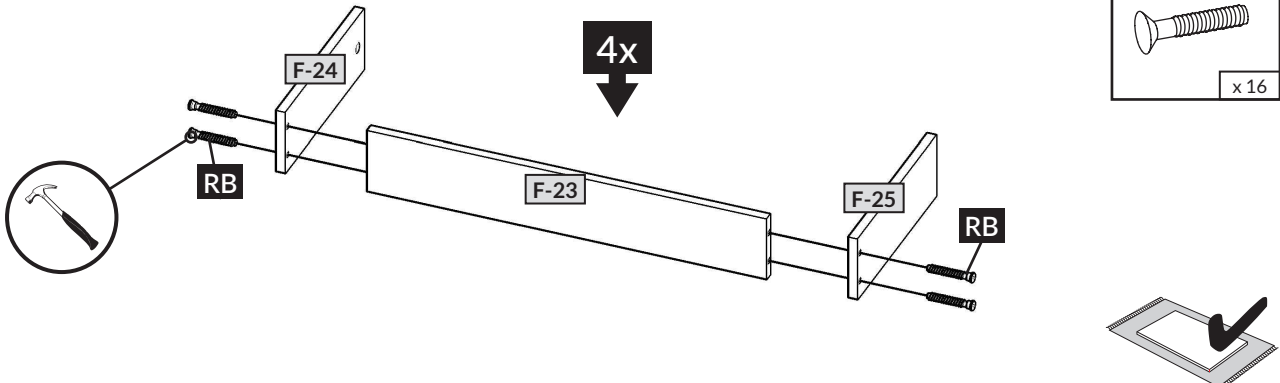
15



16

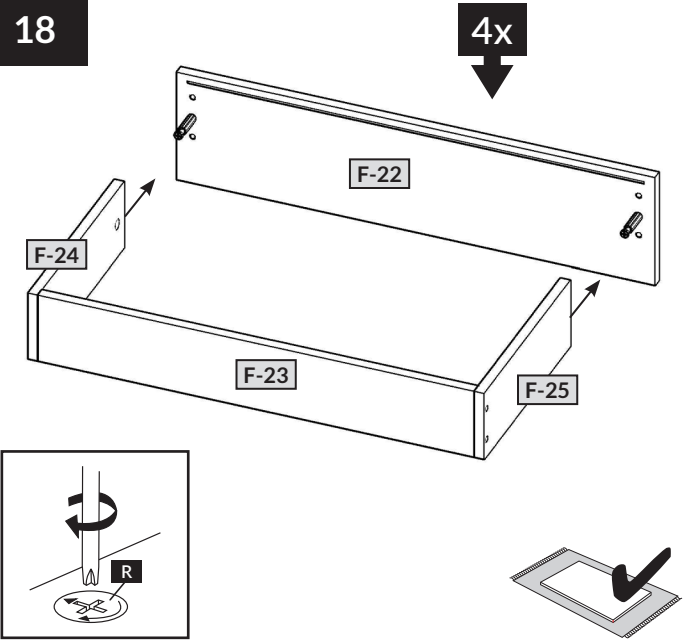


17



RB
x16

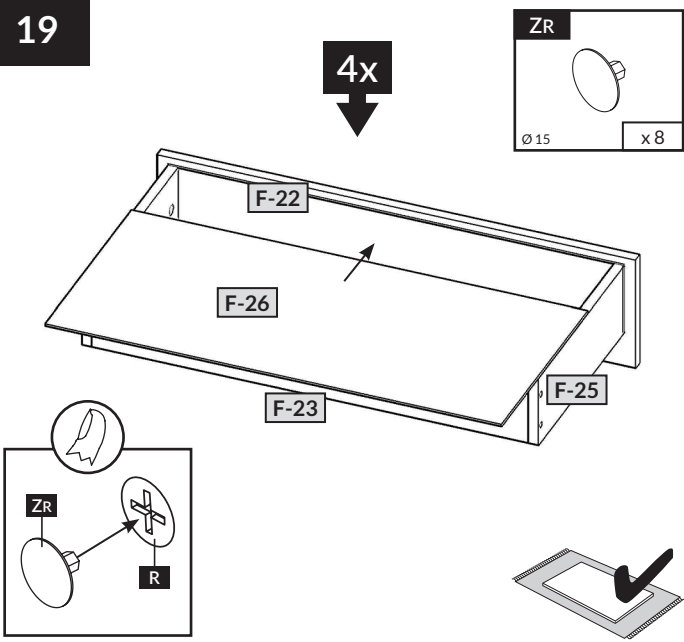
18



4x

R

19

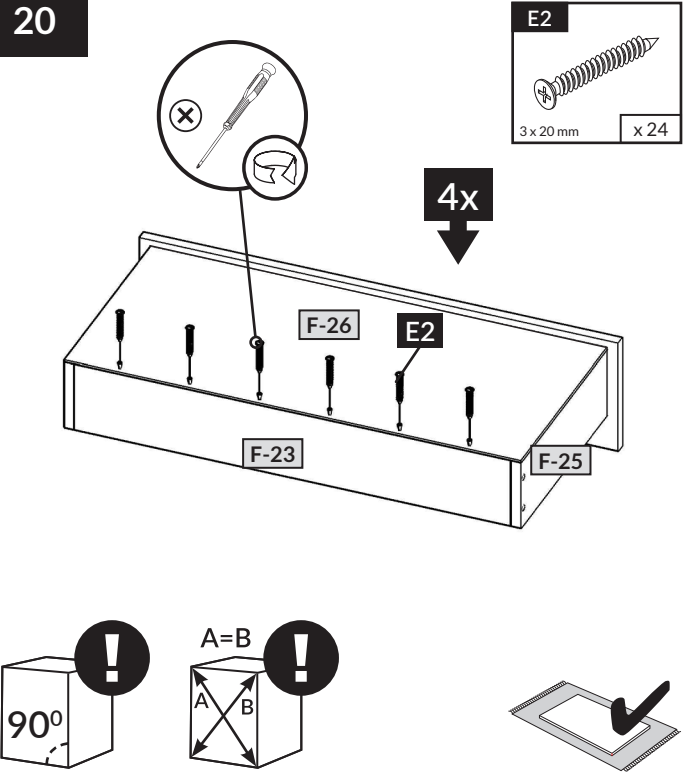


4x

ZR
Ø15
x8

R

20



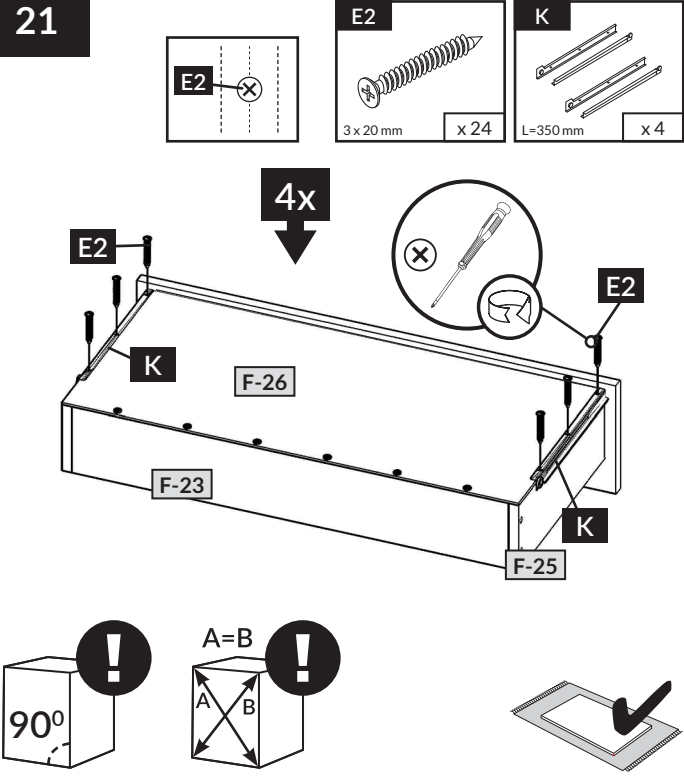
4x

E2
3 x 20 mm
x 24

90°

A=B

21



4x

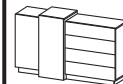
E2
3 x 20 mm
x 24

K
L=350 mm
x 4

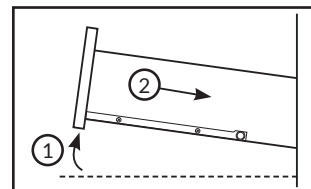
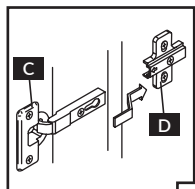
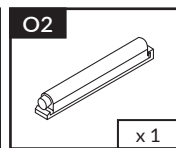
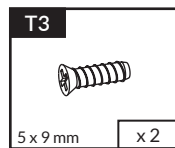
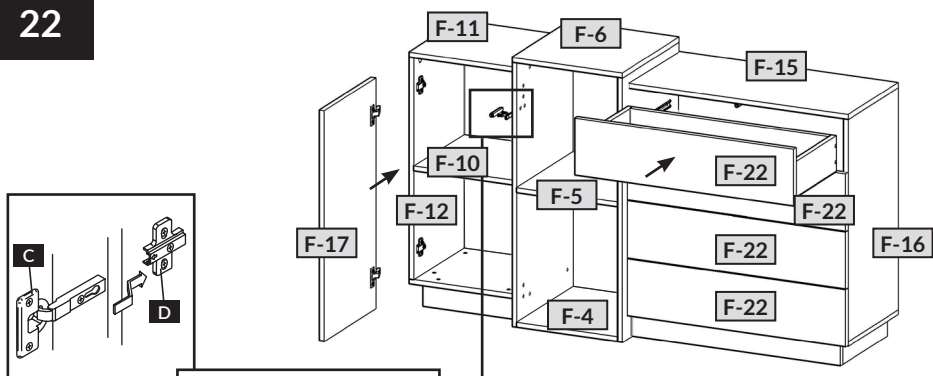
90°

A=B

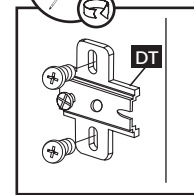
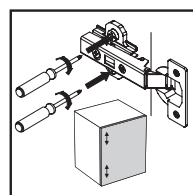
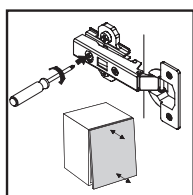
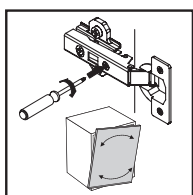
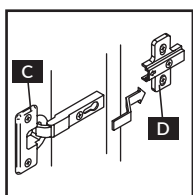
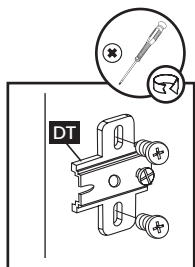
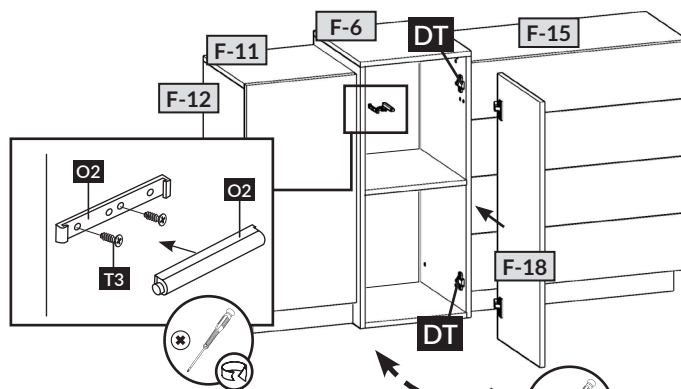
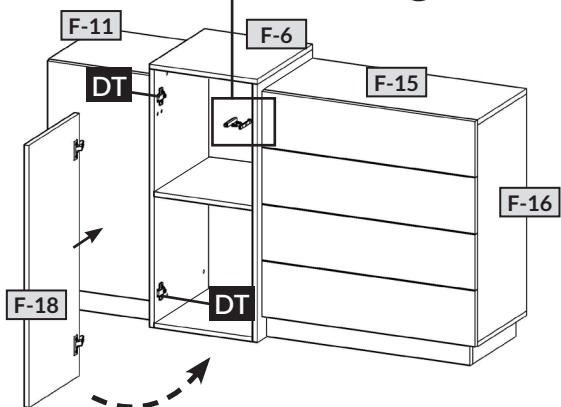
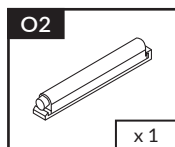
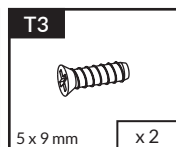
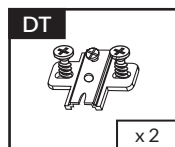
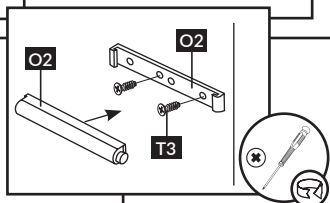
10



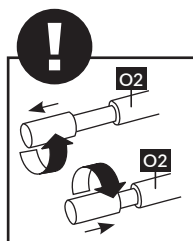
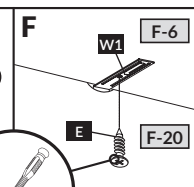
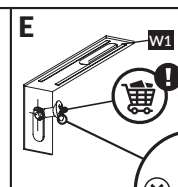
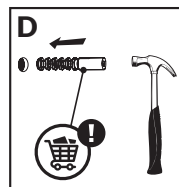
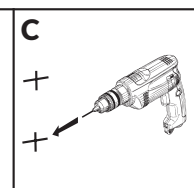
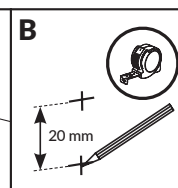
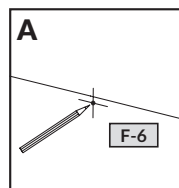
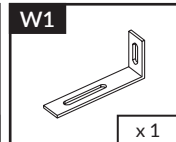
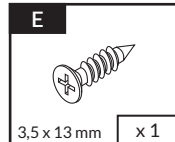
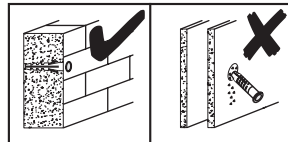
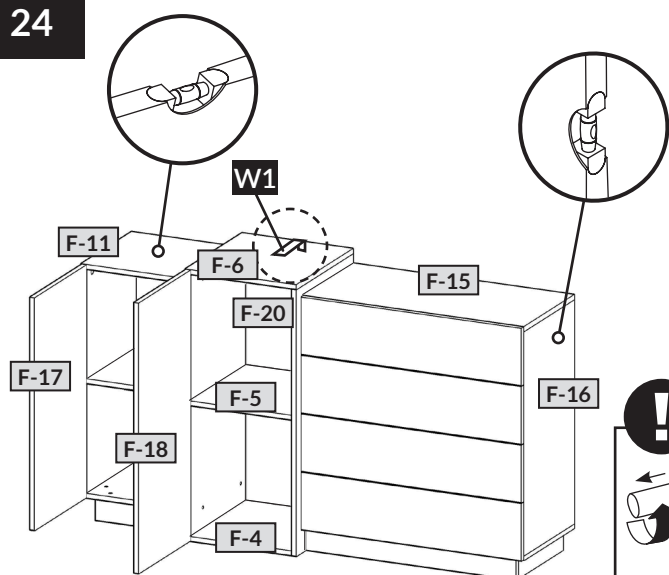
22

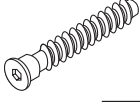

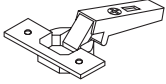
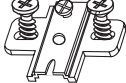
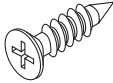


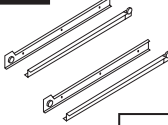
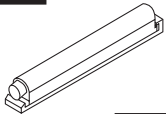


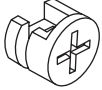
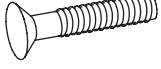

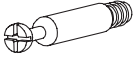
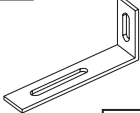





23



24



<p>A</p>  <p>7 x 50 mm X ...</p>	<p>B</p>  <p>8 x 32 mm X ...</p>	<p>C</p>  <p>(P) X ...</p>
<p>DT</p>  <p>X ...</p>	<p>E</p>  <p>3,5 x 13 mm X ...</p>	<p>E2</p>  <p>3 x 20 mm X ...</p>
<p>G2</p>  <p>X ...</p>	<p>K</p>  <p>L=350 mm X ...</p>	<p>O2</p>  <p>X ...</p>
<p>P</p>  <p>X ...</p>	<p>Q2</p>  <p>Ø 20 X ...</p>	<p>R</p>  <p>H=11 mm X ...</p>
<p>RB</p>  <p>X ...</p>	<p>T3</p>  <p>5 x 9 mm X ...</p>	<p>U</p>  <p>L=24,3 mm X ...</p>
<p>W1</p>  <p>X ...</p>	<p>XA</p>  <p>X ...</p>	<p>ZA</p>  <p>Ø 4 X ...</p>
<p>ZR</p>  <p>Ø 15 X ...</p>		

	↔ [mm]	↓ [mm]	∠ [mm]		
F-1	344	80	16	x 2	1/2
F-2	360	80	16	x 1	1/2
F-3	760	80	16	x 1	2/2
F-4	368	434	16	x 1	1/2
F-5	368	434	16	x 1	1/2
F-6	400	434	16	x 1	1/2
F-7	914	434	16	x 1	1/2
F-8	914	434	16	x 1	1/2
F-9	400	384	16	x 1	1/2
F-10	384	384	16	x 1	1/2
F-11	400	384	16	x 1	1/2
F-12	768	384	16	x 1	2/2
F-13	800	384	16	x 1	1/2
F-14	784	100	16	x 1	2/2
F-15	800	384	16	x 1	1/2
F-16	768	384	16	x 1	2/2
F-17	796	396	16	x 1	1/2
F-18	926	396	16	x 1	1/2
F-19	405	796	3	x 1	1/2
F-20	382	926	3	x 1	1/2
F-21	804	796	3	x 1	1/2
F-22	796	196	16	x 4	2/2
F-23	727	120	16	x 4	2/2
F-24	350	120	16	x 4	2/2
F-25	350	120	16	x 4	2/2
F-26	757	356	3	x 4	2/2

